

MLRL

Coherent and Modulated Laser for LIDAR

Applications

- ▶ Wind measurement, pollution detection,
- ▶ Long Range Finding, Coherent detection,
- ▶ LIDAR, LIDAR-DIAL, Pulse shaping modulation

Features

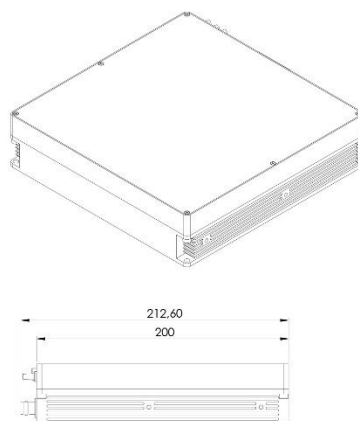
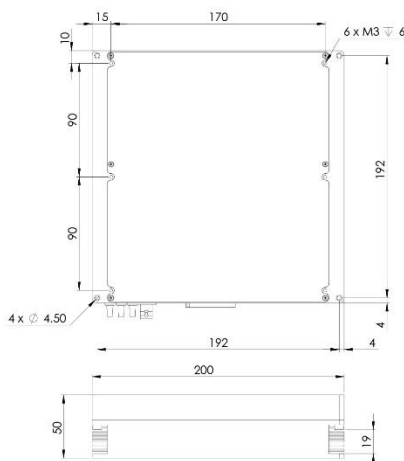
- ▶ High Peak Powers (>200 Watts)
- ▶ 10 KHz Laser Line width, Linear Polarization
- ▶ Long pulses, to 200 ns; and High pulse energies



Parameter

		Parameter Range
Center Wavelength	[nm]	1540 ... 1560
Wavelength Drift	[pm/°C]	0.1
Laser Peak power	[W]	200
Laser Output Power, average	[W]	2
Pulse Width	[ns]	50 ... 300
Pulse Energy	[μJ]	150
Repetition rate	[kHz]	20 ... 500
Pulse Timing		External trigger, TTL
Polarization		Linear
Mechanical Dimensions	[mm]	200x200x50
Operating Case Temperature	[°C]	0...+70
Output Fiber length	[cm]	30
Output Termination		SC/APC, FC/APC, Collimator
Power Supply Voltage	[VDC]	24
Power Consumption	[W]	150
Communication Interface		RS-232

Mechanical Dimensions



Ordering Information

Custom variants are available upon request, please contact our customer service to discuss your specification requirements.

Evaluation board available on request



Specifications are subject to change without notice